



Specifications

Electrical Ratings	100mA @ 30VDC
Electrical Life	100,000 cycles typical
Contact Resistance	<50mΩ initial @ 2-4VDC, 100mA
Dielectric Strength	2000Vrms min

Insulation Resistance	>100MΩ min
Operating Temperature	-40°C to 85°C
Storage Temperature	-40°C to 85°C

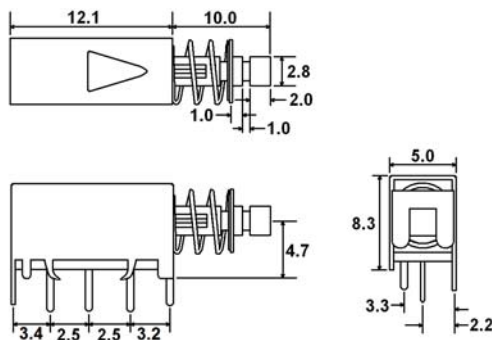
Materials

Actuator	Acetal
Housing	Steel, Tin-Plated
Base	Phenolic
Contacts	Phosphor Bronze, Silver Plated
Terminals	Brass, Silver Plated

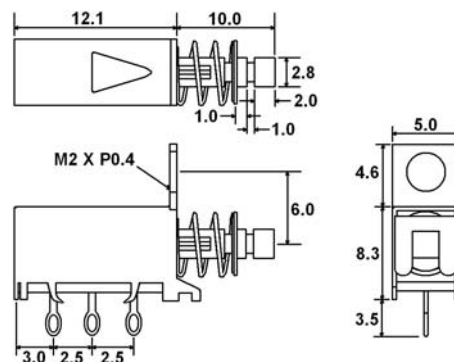
Ordering Information

1. Series	MP	1	P	P	L	C033
MP						
2. Number of Poles						
1 = SPDT						
2 = DPDT						
3. Terminals						
S = Solder Lug						
P = PC Pin						
4. Case Style						
P = With case PC pins (standard for PC pins)						
M = With threaded panel mount tab (standard for solder lugs)						
5. Switch Function						
N = Non-Latching						
L = Latching						
6. Caps	Cap Colors					
Blank = No Cap	C03					
C01	C04					**See Cap Options for color availability
C02	C05					

Dimensions



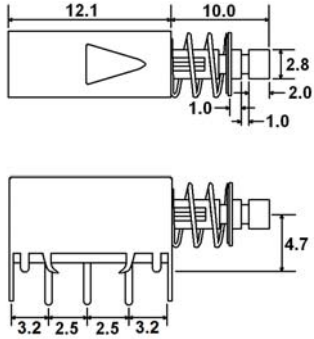
MP1P



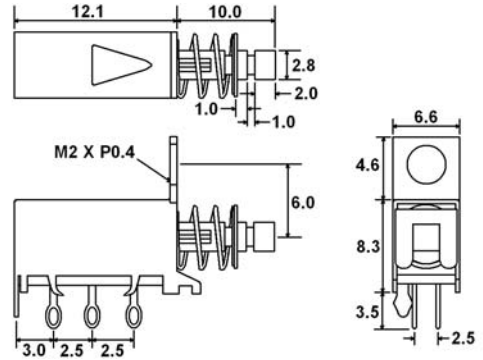
MP1S

Horizontal Pushbutton

Dimensions

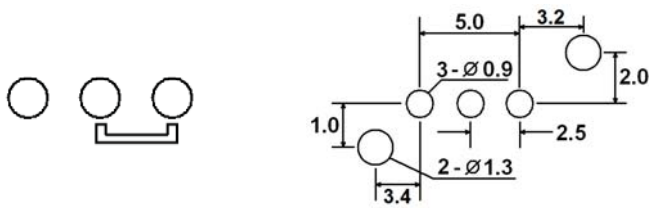


MP2P

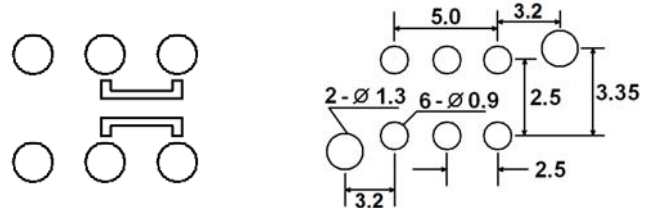


MP2S

Schematics & PC Layouts

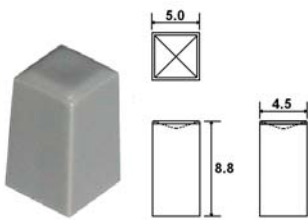


SPDT



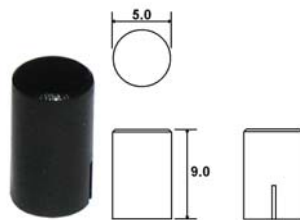
DPDT

Cap Options



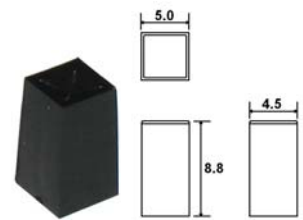
C01

1 = White, 2 = Black, 3 = Red, 9 = Light Gray
Contact Factory for other available colors



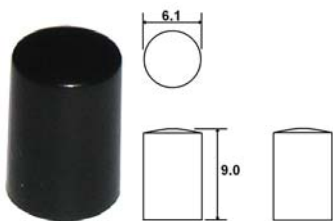
C02

1 = White, 2 = Black, 3 = Red, 9 = Light Gray
Contact Factory for other available colors



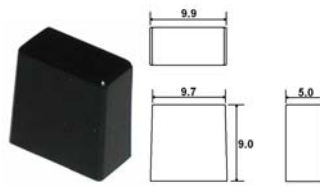
C03

1 = White, 2 = Black, 3 = Red, 9 = Light Gray
Contact Factory for other available colors



C04

1 = White, 2 = Black, 3 = Red, 9 = Light Gray
Contact Factory for other available colors



C05

1 = White, 2 = Black, 3 = Red, 9 = Light Gray
Contact Factory for other available colors